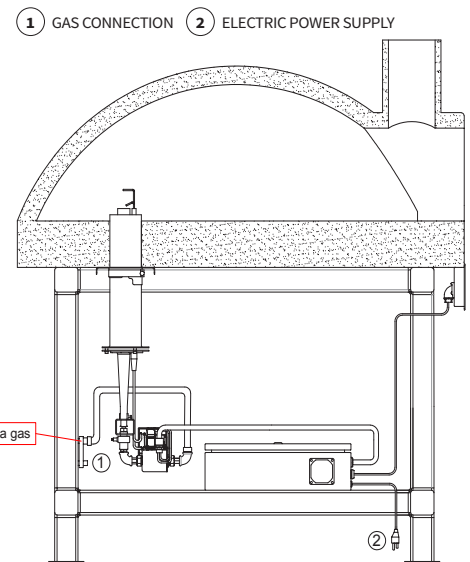
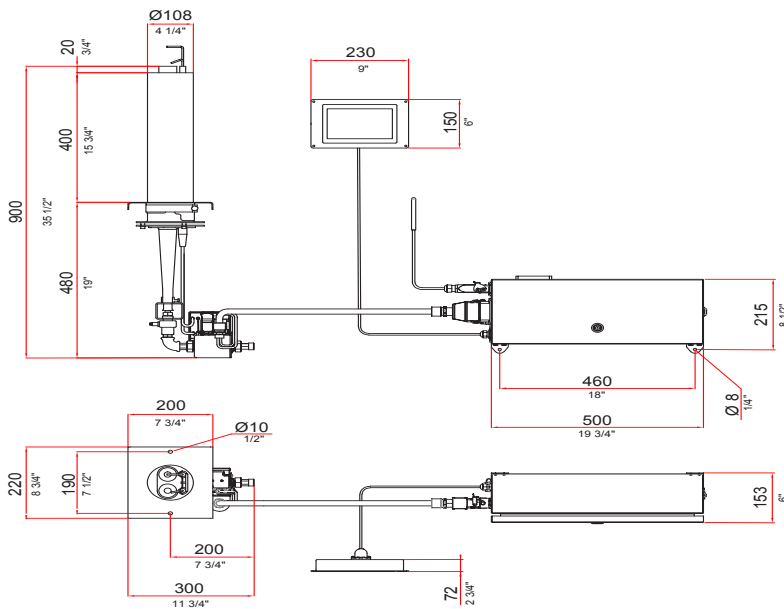
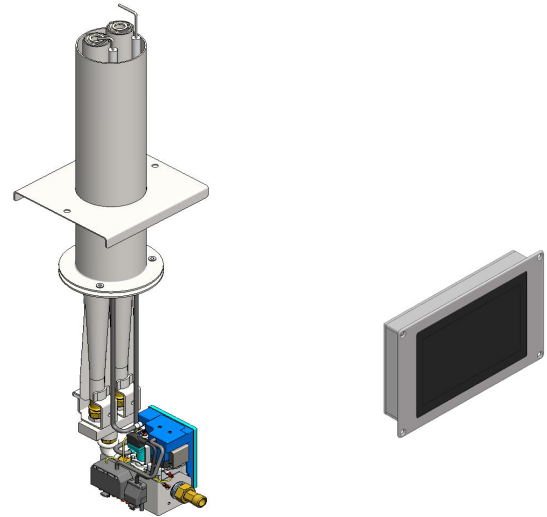


# GAS BURNER T2 V




## VERTICAL VERSION

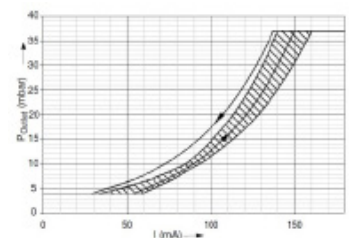
- FOR PROFESSIONAL SECTOR
- HIGH-EFFICIENCY DIVERTER FLAME
- A.F.S. SYSTEM FOR VARIOUS HEIGHTS OF FLOOR
- PROFESSIONAL VALVE GROUP



### GAS BURNER SERIES T (VERTICAL VERSION)

MODEL T2 V	NATURAL GAS	LPG	LPG - BOTTLE
Thermal output Min-Max • Kw	12,0 - 22,0	10,5 - 22,0	OPERATION WITH GAS BOTTLE ≥ 2x15 Kg 
Thermal output Min-Max • BTU	40.945 - 75.067	35.827 - 75.067	
Inlet pressure • mbar	20,0	30,0	
Inlet pressure • W.C.	8,02	12,04	
Gas connection	1/2"	1/2"	
Consumption Min-Max • m³/h	1,27 - 2,38		
Consumption Min-Max • Kg/h		0,83 - 1,74	
Net weight	15 Kg	15 Kg	

### FLOW RATE



by **UNITECH S.r.l.**  
 Via Ferrari, 27/71 - 41043 Corlo di Formigine (MO) - Italy  
 Tel. +39 059 574161 - Fax +39 059 5771294  
 P.IVA - VAT IT03894120363  
 info@uni-tech.it - [www.uni-tech.it](http://www.uni-tech.it)

  
**uni**food equipment  
[www.modularfire.it](http://www.modularfire.it)