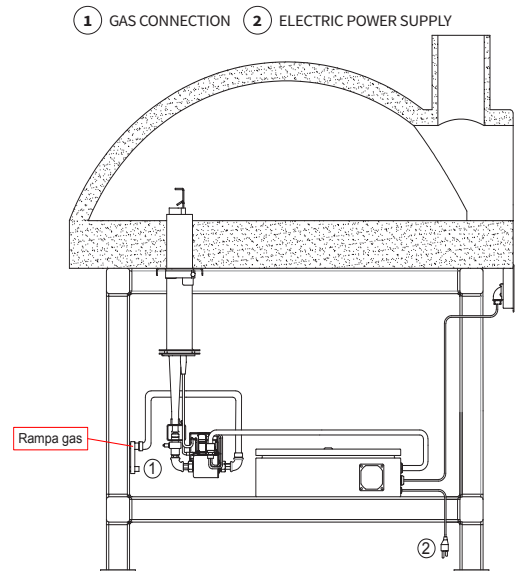
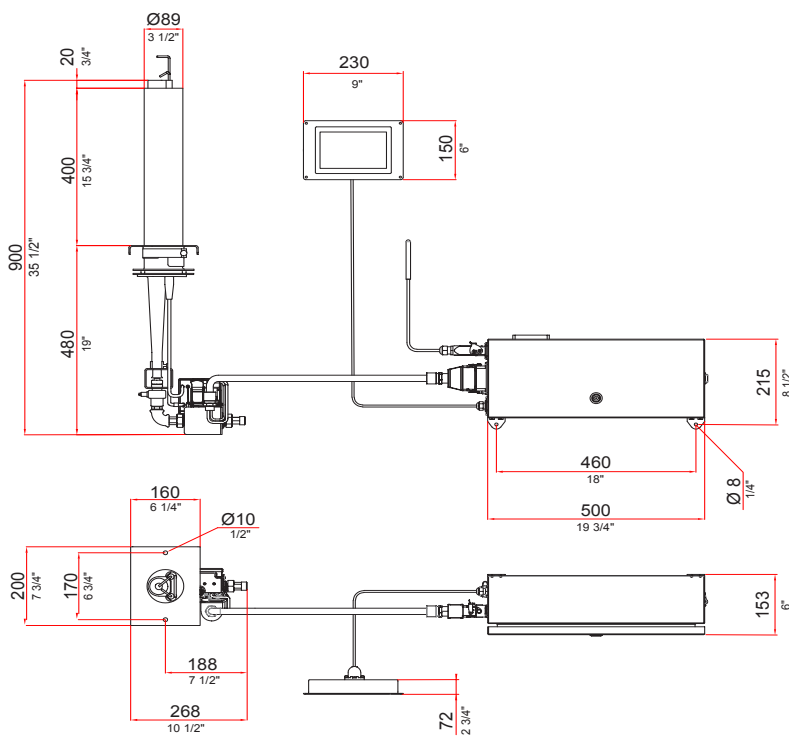
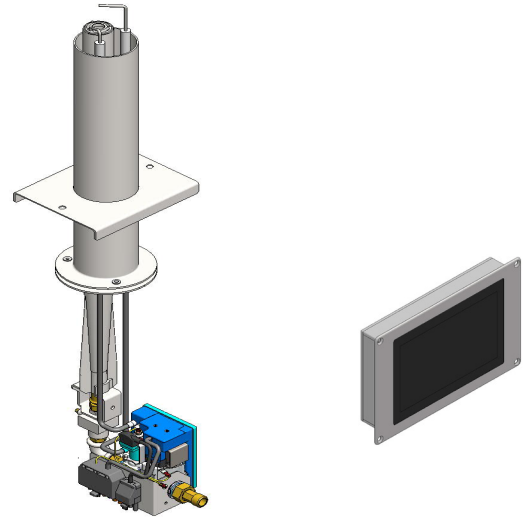


GAS BURNER T1 V



VERTICAL VERSION

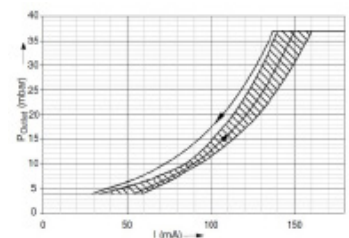
- FOR PROFESSIONAL SECTOR
- HIGH-EFFICIENCY DIVERTER FLAME
- A.F.S. SYSTEM FOR VARIOUS HEIGHTS OF FLOOR
- PROFESSIONAL VALVE GROUP



GAS BURNER SERIES T (VERTICAL VERSION)

MODEL T1 V	NATURAL GAS	LPG	LPG - BOTTLE
Thermal output Min-Max • Kw	7,0 - 14,0	6,5 - 14,0	OPERATION WITH GAS BOTTLE ≥ 15 Kg
Thermal output Min-Max • BTU	23.884 - 47.769	22.178 - 47.769	
Inlet pressure • mbar	20,0	30,0	
Inlet pressure • W.C.	8,02	12,04	
Gas connection	1/2"	1/2"	
Consumption Min-Max • m³/h	0,74 - 1,48		
Consumption Min-Max • Kg/h		0,55 - 1,1	
Net weight	13 Kg	13 Kg	

FLOW RATE



by **UNITECH S.r.l.**
 Via Ferrari, 27/71 - 41043 Corlo di Formigine (MO) - Italy
 Tel. +39 059 574161 - Fax +39 059 5771294
 P.IVA - VAT IT03894120363
 info@uni-tech.it - www.uni-tech.it

unifood equipment
www.modularfire.it