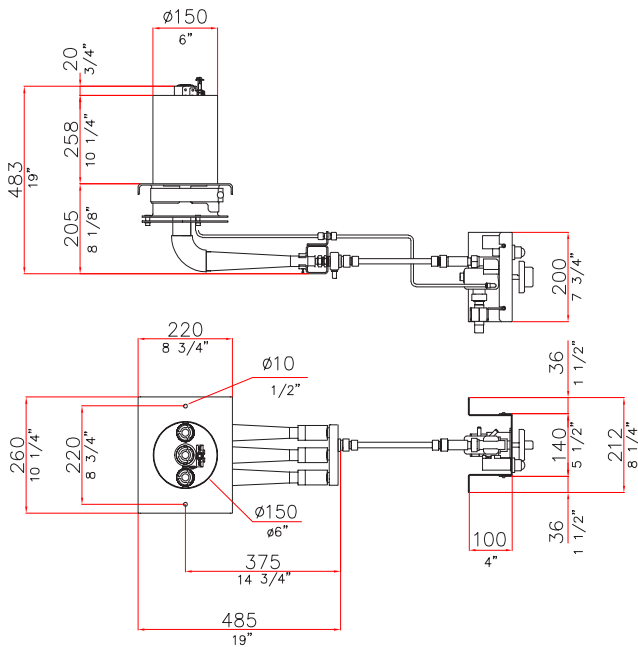
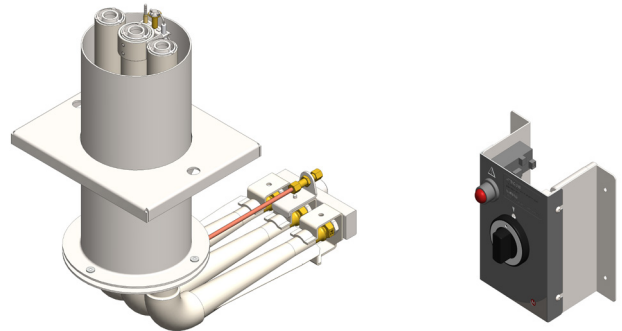


# GAS BURNER M3 H

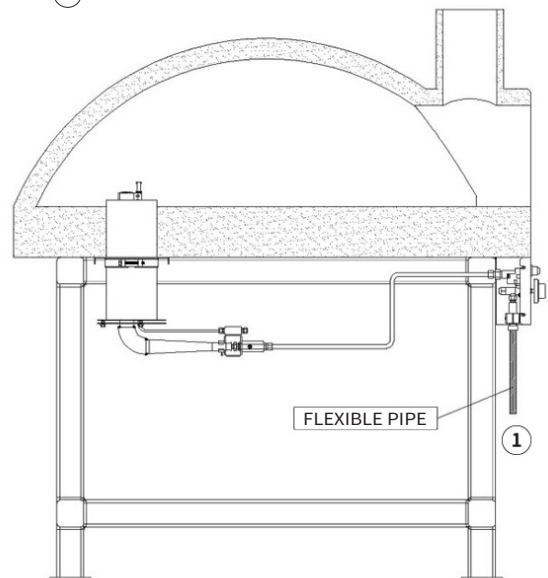


## HORIZONTAL VERSION

- FOR RESIDENTIAL SECTOR
- HIGH-EFFICIENCY DIVERTER FLAME
- A.F.S. SYSTEM FOR VARIOUS HEIGHTS OF FLOOR
- PROFESSIONAL VALVE GROUP

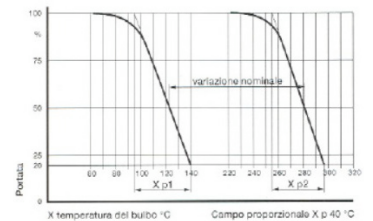


① GAS CONNECTION



### GAS BURNER SERIES M (HORIZONTAL VERSION)

| MODEL M3 H                   | NATURAL GAS      | LPG              | LPG - BOTTLE                                       |
|------------------------------|------------------|------------------|--|
| Thermal output Min-Max • Kw  | 13,5 - 34,0      | 15,5 - 34,0      | OPERATION WITH GAS BOTTLE<br><br>≥ 2x15 Kg<br><br> |
| Thermal output Min-Max • BTU | 46.063 - 116.012 | 52.888 - 116.012 |  |
| Inlet pressure • mbar        | 20,0             | 30,0             |  |
| Inlet pressure • W.C.        | 8,02             | 12,04            |  |
| Gas connection               | 1/2"             | 1/2"             |  |
| Consumption Min-Max • m³/h   | 1,43 - 3,59      |                  |  |
| Consumption Min-Max • Kg/h   |                  | 1,22 - 2,68      |  |
| Net weight                   | 15 Kg            | 15 Kg            |  |



by **UNITECH S.r.l.**  
 Via Ferrari, 27/71 - 41043 Corlo di Formigine (MO) - Italy  
 Tel. +39 059 574161 - Fax +39 059 5771294  
 P.IVA - VAT IT03894120363  
 info@uni-tech.it - [www.uni-tech.it](http://www.uni-tech.it)

**uni**food equipment  
[www.modularfire.it](http://www.modularfire.it)