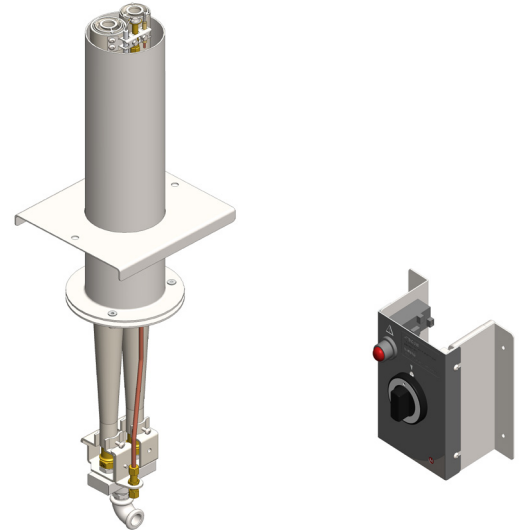
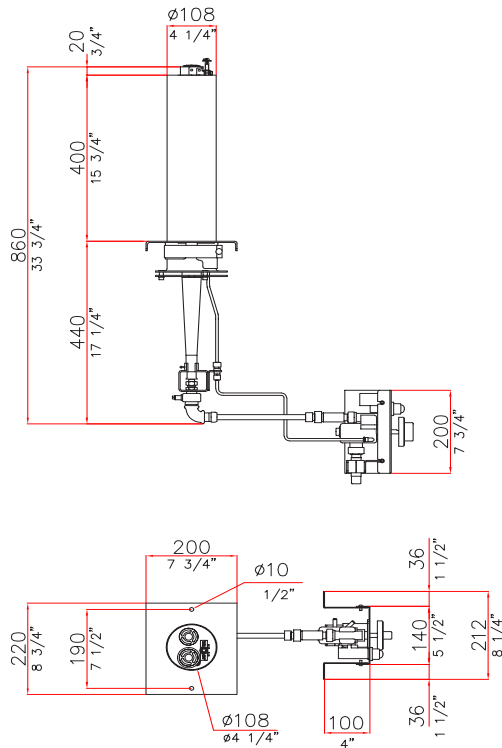


GAS BURNER M2 V

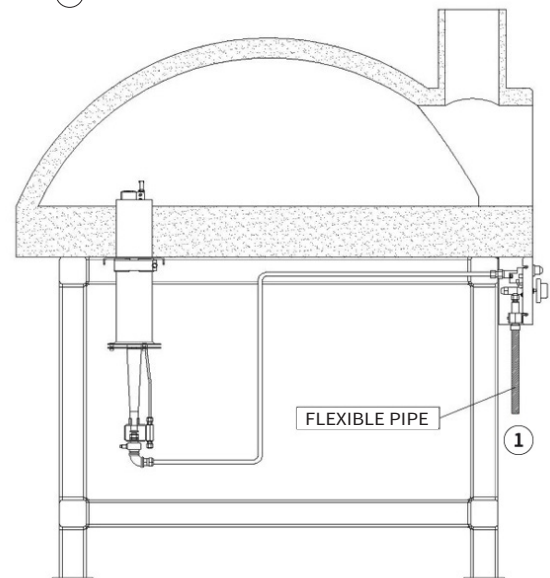


VERTICAL VERSION

- FOR RESIDENTIAL SECTOR
- HIGH-EFFICIENCY DIVERTER FLAME
- A.F.S. SYSTEM FOR VARIOUS HEIGHTS OF FLOOR
- PROFESSIONAL VALVE GROUP

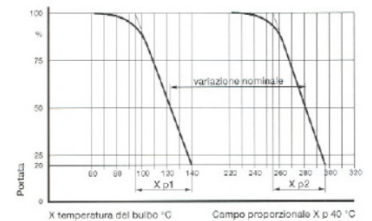


① GAS CONNECTION



GAS BURNER SERIES M (VERTICAL VERSION)

MODEL M2 V	NATURAL GAS	LPG	LPG - BOTTLE
Thermal output Min-Max • Kw	9,5 - 22,0	10,5 - 22,0	OPERATION WITH GAS BOTTLE ≥ 2x15 Kg
Thermal output Min-Max • BTU	32.415 - 75.067	35.827 - 75.067	
Inlet pressure • mbar	20,0	30,0	
Inlet pressure • W.C.	8,02	12,04	
Gas connection	1/2"	1/2"	
Consumption Min-Max • m ³ /h	1,0 - 2,38		
Consumption Min-Max • Kg/h		0,83 - 1,74	
Net weight	13 Kg	13 Kg	



by **UNITECH S.r.l.**
 Via Ferrari, 27/71 - 41043 Corlo di Formigine (MO) - Italy
 Tel. +39 059 574161 - Fax +39 059 5771294
 P.IVA - VAT IT03894120363
 info@uni-tech.it - www.uni-tech.it

unifood equipment
www.modularfire.it