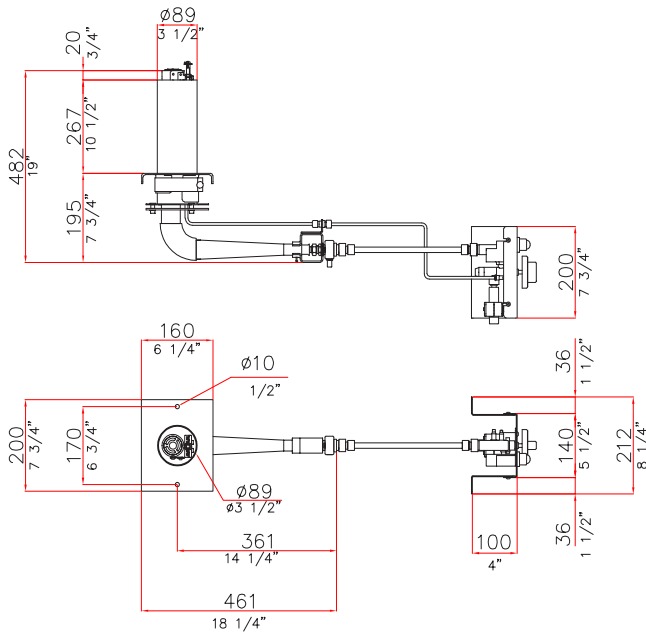
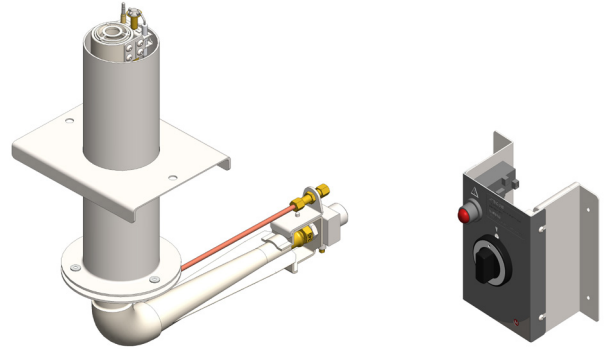
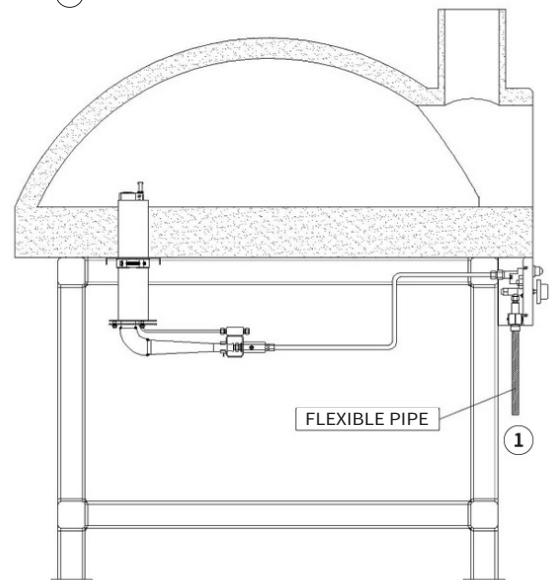


HORIZONTAL VERSION


- FOR RESIDENTIAL SECTOR
- HIGH-EFFICIENCY DIVERTER FLAME
- A.F.S. SYSTEM FOR VARIOUS HEIGHTS OF FLOOR
- PROFESSIONAL VALVE GROUP



① GAS CONNECTION



GAS BURNER SERIES M (HORIZONTAL VERSION)

MODEL M1 H	NATURAL GAS	LPG	LPG - BOTTLE
Thermal output Min-Max • Kw	5,5 - 14,0	6,5 - 14,0	OPERATION WITH GAS BOTTLE ≥ 15 Kg 
Thermal output Min-Max • BTU	18.766 - 47.769	22.178 - 47.769	
Inlet pressure • mbar	20,0	30,0	
Inlet pressure • W.C.	8,02	12,04	
Gas connection	1/2"	1/2"	
Consumption Min-Max • m ³ /h	0,58 - 1,48		
Consumption Min-Max • Kg/h		0,55 - 1,1	
Net weight	11 Kg	11 Kg	

by **UNITECH S.r.l.**
 Via Ferrari, 27/71 - 41043 Corlo di Formigine (MO) - Italy
 Tel. +39 059 574161 - Fax +39 059 5771294
 P.IVA - VAT IT03894120363
 info@uni-tech.it - www.uni-tech.it