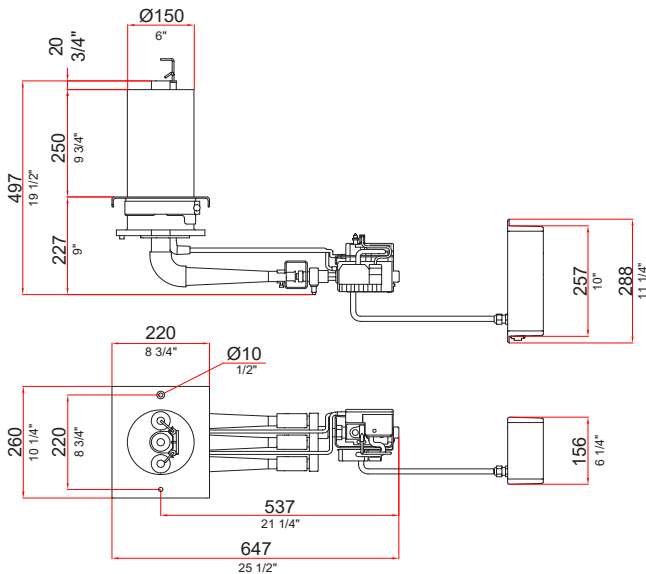
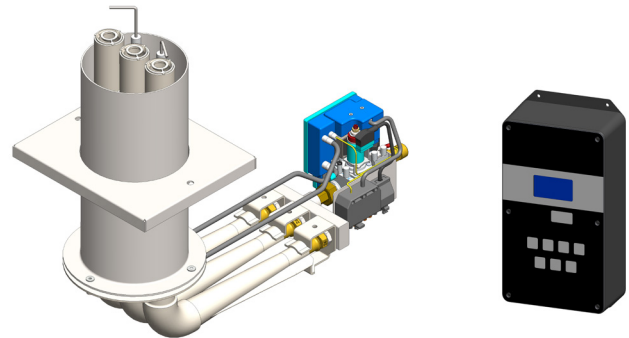


GAS BURNER E3 H

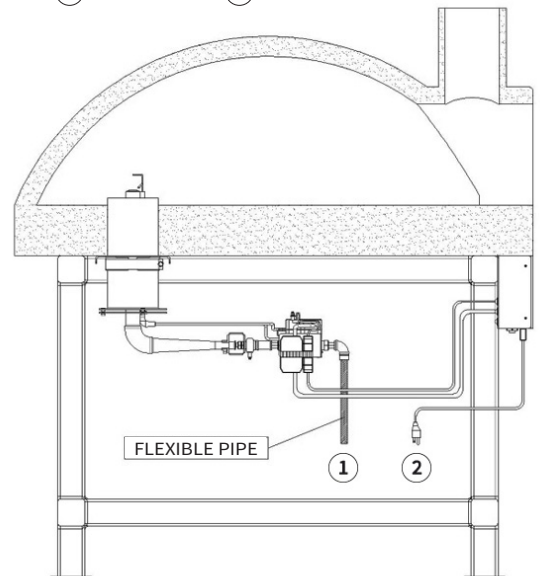


HORIZONTAL VERSION

- FOR PROFESSIONAL SECTOR
- HIGH-EFFICIENCY DIVERTER FLAME
- A.F.S. SYSTEM FOR VARIOUS HEIGHTS OF FLOOR
- PROFESSIONAL VALVE GROUP



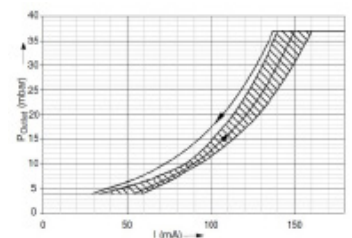
① GAS CONNECTION ② ELECTRIC POWER SUPPLY



GAS BURNER SERIES E (HORIZONTAL VERSION)

MODEL E3 H	NATURAL GAS	LPG	LPG - BOTTLE
Thermal output Min-Max • Kw	17,5 - 34,0	15,5 - 34,0	OPERATION WITH GAS BOTTLE ≥ 2x15 Kg
Thermal output Min-Max • BTU	59.712 - 116.012	52.888 - 116.012	
Inlet pressure • mbar	20,0	30,0	
Inlet pressure • W.C.	8,02	12,04	
Gas connection	1/2"	1/2"	
Consumption Min-Max • m³/h	1,85 - 3,59		
Consumption Min-Max • Kg/h		1,22 - 2,68	
Net weight	17 Kg	17 Kg	

FLOW RATE



by UNITECH S.r.l.
 Via Ferrari, 27/71 - 41043 Corlo di Formigine (MO) - Italy
 Tel. +39 059 574161 - Fax +39 059 5771294
 P.IVA - VAT IT03894120363
 info@uni-tech.it - www.uni-tech.it

uni
 uni food equipment
www.modularfire.it