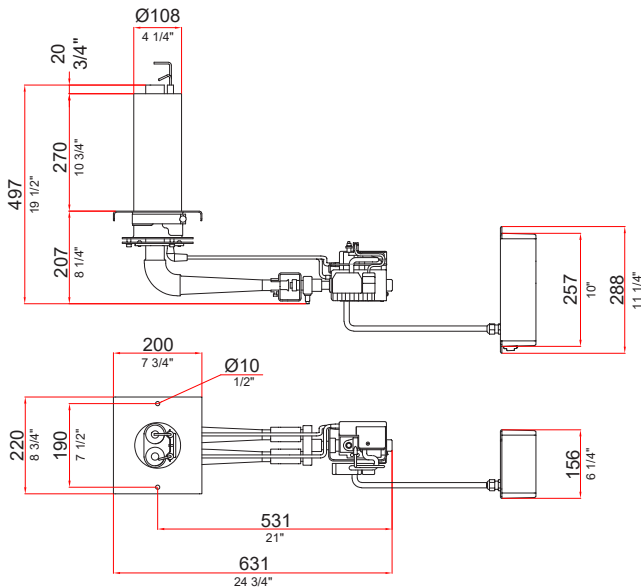
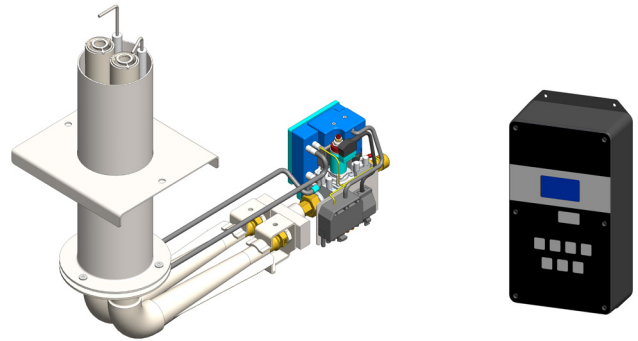


# GAS BURNER E2 H

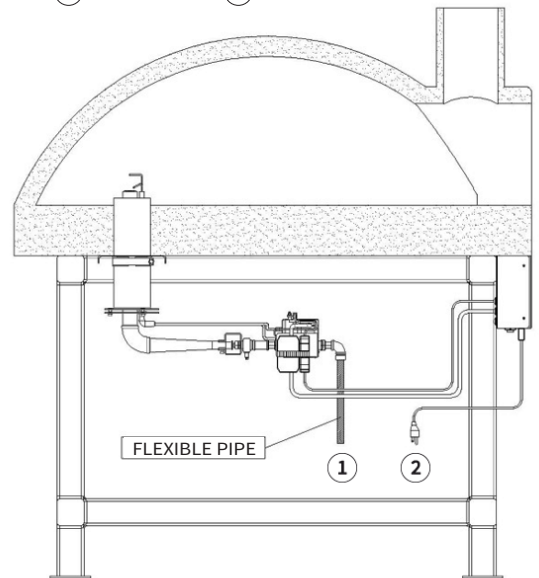


## HORIZONTAL VERSION

- FOR PROFESSIONAL SECTOR
- HIGH-EFFICIENCY DIVERTER FLAME
- A.F.S. SYSTEM FOR VARIOUS HEIGHTS OF FLOOR
- PROFESSIONAL VALVE GROUP



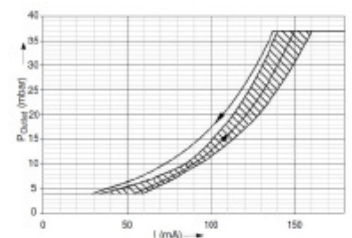
① GAS CONNECTION ② ELECTRIC POWER SUPPLY



### GAS BURNER SERIES E (HORIZONTAL VERSION)

| MODEL E2 H                   | NATURAL GAS     | LPG             | LPG - BOTTLE                               |
|------------------------------|-----------------|-----------------|--|
| Thermal output Min-Max • Kw  | 12,0 - 22,0     | 10,5 - 22,0     | OPERATION WITH GAS BOTTLE<br>≥ 2x15 Kg<br> |
| Thermal output Min-Max • BTU | 40.945 - 75.067 | 35.827 - 75.067 |  |
| Inlet pressure • mbar        | 20,0            | 30,0            |  |
| Inlet pressure • W.C.        | 8,02            | 12,04           |  |
| Gas connection               | 1/2"            | 1/2"            |  |
| Consumption Min-Max • m³/h   | 1,27 - 2,38     |                 |  |
| Consumption Min-Max • Kg/h   |                 | 0,83 - 1,74     |  |
| Net weight                   | 13 Kg           | 13 Kg           |  |

### FLOW RATE



by **UNITECH S.r.l.**  
 Via Ferrari, 27/71 - 41043 Corlo di Formigine (MO) - Italy  
 Tel. +39 059 574161 - Fax +39 059 5771294  
 P.IVA - VAT IT03894120363  
 info@uni-tech.it - [www.uni-tech.it](http://www.uni-tech.it)

**uni**food equipment  
[www.modularfire.it](http://www.modularfire.it)